

- Complies with American National Standard Z358.1
- Galvanized Steel Protected with BradTect® Safety Yellow Coating or All Stainless Steel
- Universal Identification Sign and Inspection Tag Included
- Wall Bracket Included
- Full, One-Year Warranty
- Classified by Underwriters Laboratory Inc. to ANSI Z358.1

## Specifications

Unit design saves space and fits easily into any work environment. Eyewash operates quickly by a large, highly visible push handle. Safe, steady water flow under varying water supply conditions from 30–90 PSI is assured by integral flow control in the sprayhead assembly. NOTE: The ANSI Z358.1 standard requires an uninterrupted supply of flushing fluid at a minimum 30 PSI flowing pressure.

## Standard Equipment

### Eyewash Bowl

10¾" (273mm) diameter corrosion-resistant stainless steel.

### Standard Sprayhead Assembly

Stainless steel assembly with twin soft-flow eyewash heads and protective sprayhead covers. Safe, steady water flow under varying water supply conditions from 30–90 PSI is assured by integral flow control in the sprayhead assembly.

### Valve

Stainless Steel ½" NPT stay-open ball valve. Hand operated by a large, highly visible safety yellow handle.

### Pipe and Fittings

Stainless steel.

### Wall Bracket

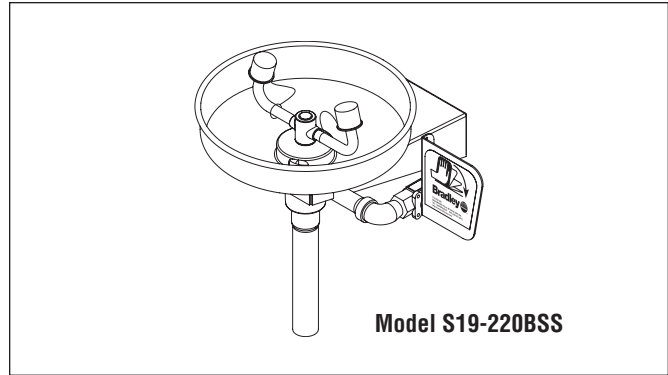
Heavy-gauge sand cast aluminum protected with BradTect® safety yellow coating. Includes three clearance holes for mounting bracket onto wall (mounting hardware not included). S19-220BSS is all stainless steel.

### Waste

¼" drain fitting and tailpiece furnished.

### Water Supply

½" NPT.



This plumbing fixture is not intended to dispense water for human consumption through drinking or for preparation of food or beverages.

Model	Description
<input type="checkbox"/> S19-220BSS	Eyewash with Wall Bracket - All Stainless Steel
<input type="checkbox"/> S19-2000	Navigator EFX8 Emergency Thermostatic Mixing Valve

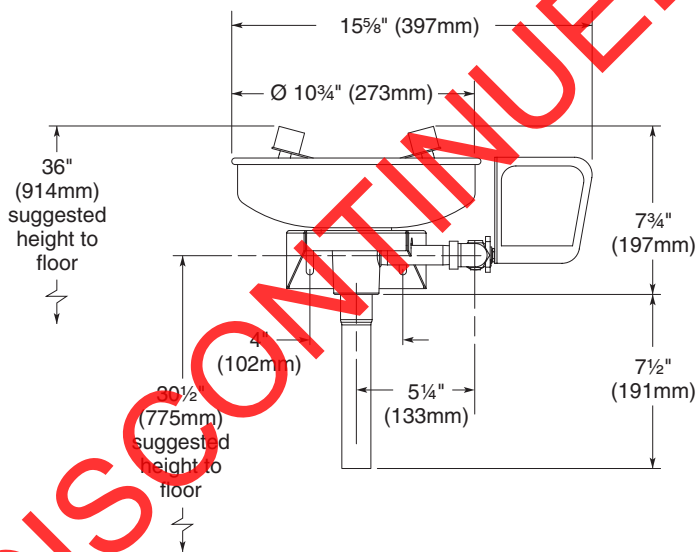
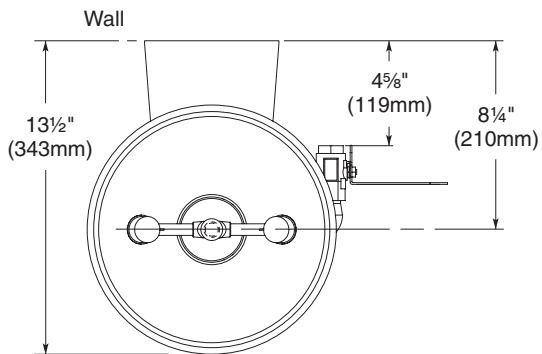


DISCONTINUED

**Recommended Option:**  
Navigator S19-2000 EFX8  
Emergency Thermostatic Mixing  
Valve

## NAVIGATOR

Satisfies ANSI Z358.1  
tepid water requirements.



DISCONTINUED